

60" ANDOVER ACRYLIC ROLL TOP TUB

Cat. No.
ATR60



L: 60"
W: 30"
H: 24-1/2" (from floor)
17-3/4" (from bottom of tub)

Water Depth: 11-1/2" to OF

The following is recommended for
ATR60 tubs:

- Tub wall-mounted faucets: #4022,4025 or 4035
 - Double offset bath supplies: part #5576
 - Leg tub drain: part #5599
- Do Not Use with rigid, freestanding supplies.**

Gallon Capacity: 40
Shipping Weight: 110 lbs.
Empty Weight: 62 lbs.
Filled Weight: 396 lbs.

Features:

- ▶ Inside finish is either white or bisque to match outside color
- ▶ Pre-drilled overflow hole
- ▶ 3-3/8" centers in tub wall with continuous rolled rim
- ▶ Top of tub to center of faucet holes is 3-1/4"
- ▶ Outside is textured fiberglass reinforced polyester coated with two-part epoxy
- ▶ Cast aluminum ball and claw feet
- ▶ Feet are attached and leveled before shipment
- ▶ Tub is thoroughly inspected before shipment



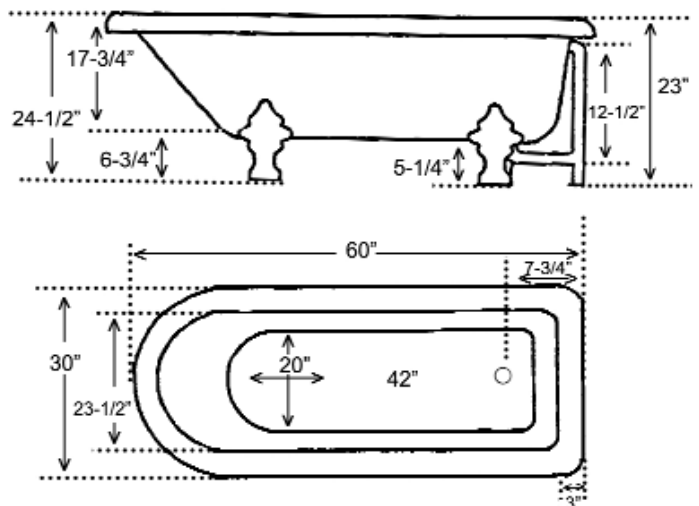
Tub Colors

WH White BQ Bisque

Foot Finishes

BQ	Bisque	BN	Brushed Nickel
BL	Black	ORB	Oil Rubbed Bronze
PB	Polished Brass	PN	Polished Nickel
CP	Polished Chrome	WH	White

Custom Colors Available (inside of tub is always white enamel):
Painted bathtubs are considered "special order" and are not returnable
\$160 Bisque or Black \$250 Designer Color



Dimensions of fixture are nominal and specifications subject to change without notice.

RECTANGULAR SHOWER UNIT WITH SIDE WALL SUPPORT

Cat. No.
4192



Features:

- ▶ Rectangular shower rod is 3/4" solid brass tubing
- ▶ Washerless diverter bathcock
- ▶ 3-3/8" Centers for tub wall mount installation
- ▶ 1/4 Turn compression stems
- ▶ Flow rate is 4 GPM
- ▶ Metal lever handles
- ▶ Polished Chrome and Brass have plastic showerheads
- ▶ Brushed Nickel, Polished Nickel and Oil Rubbed Bronze have a metal showerhead
- ▶ Includes ceiling and wall support assemblies
- ▶ Side wall support fully reversible (Left or Right)
- ▶ Supports adjustable by cutting
- ▶ For use with #5576 double offset supplies (Not Included)
- ▶ Available with 48" (#4192-48) or 54" (#4192-54) shower rod
- ▶ Finishes varies by size

Finishes:

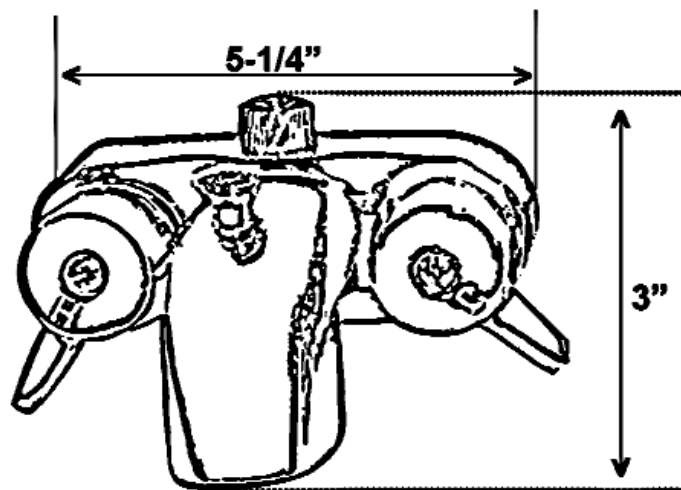
- CP** Polished Chrome
- PB** Polished Brass
- BN** Brushed Nickel
- PN** Polished Nickel
- ORB** Oil Rubbed Bronze

SIZE	FINISH
48" x 24"	CP, BN, ORB, PB, PN
54" x 24"	PB, CP

Shower Rod:

L: 48" D: 24"
L: 54" D: 24"

Riser Height: 62"
Faucet Width: 5-1/4"
Wall Support: 18"
Ceiling Support: 30"



Dimensions are nominal and may vary. Dimensions and specifications subject to change without notice.

DOUBLE OFFSET BATH SUPPLIES

Cat.No.
5576



H: 24"

OD: 1/2"

Features:

- ▶ For use with faucets mounted to the tub wall
- ▶ No Stops
- ▶ 1/2" Compression inlet
- ▶ 3/4" Compression outlet
- ▶ 0.500" Outer diameter
- ▶ 0.440" Inner diameter
- ▶ 0.030" Thickness of the wall
- ▶ IAPMO approved
- ▶ Available in 5 finishes

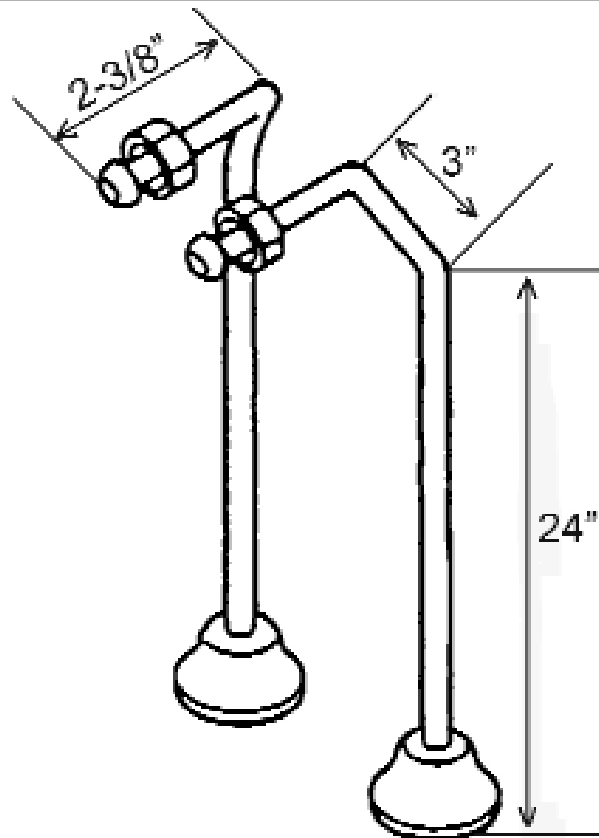
Compliance Certification

Meets or exceeds the following specifications: ASME-A112 (and 19.6M) for Vitreous china fixtures. ASME 112.19.9M for fire clay fixtures.

Finishes:

CP Polished Chrome
PB Polished Brass
ORB Oil Rubbed Bronze

PN Polished Nickel
BN Brushed Nickel



Use on concrete floors requires special installation. We recommend using a plumbing professional.

Dimensions and specifications subject to change without notice.

LEG TUB DRAIN

Cat. No.
5599



Escutcheon Height: 1-1/4"

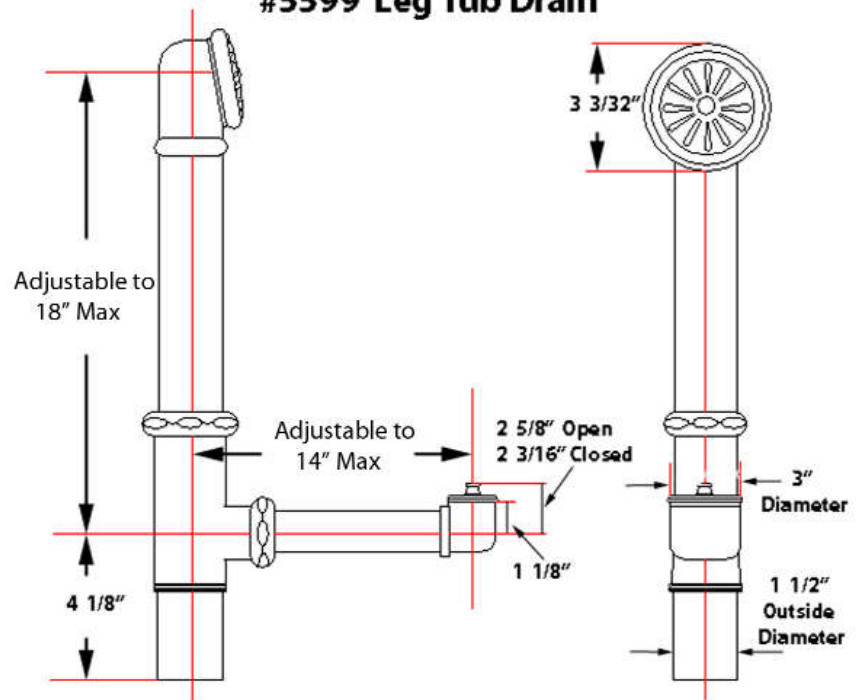
Features:

- ▶ Twist-and-lift stopper
- ▶ Includes deep escutcheon
- ▶ Height adjustable 15"-18"
- ▶ Depth adjustable 12"-14"
- ▶ Includes deep escutcheon
- ▶ IAPMO approved
- ▶ Available in 5 Finishes

Finishes:

- CP** Polished Chrome
- BP** Polished Brass
- SN** Brushed Nickel
- PN** Polished Nickel
- ORB** Oil Rubbed Bronze

#5599 Leg Tub Drain



Dimensions and specifications subject to change without notice.